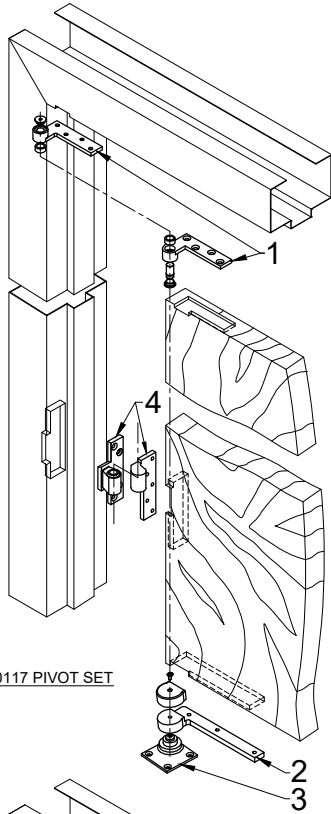
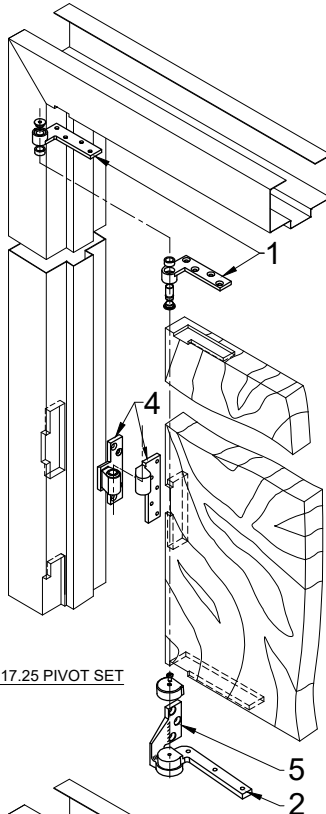


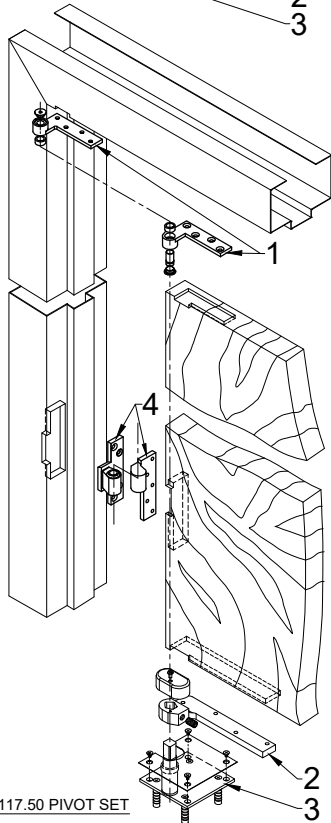
3/4" OFFSET PIVOT SET - SINGLE ACTING



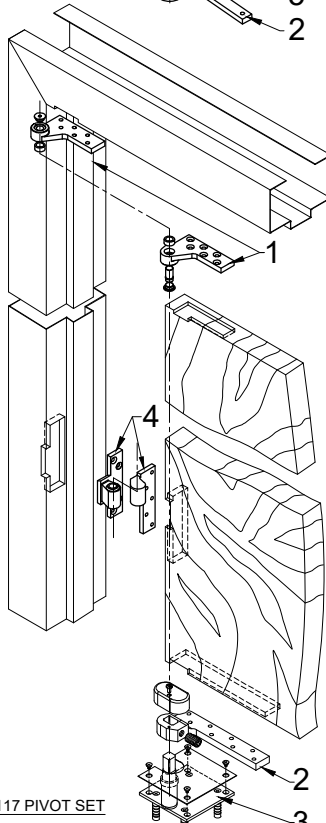
0117 PIVOT SET



0117.25 PIVOT SET



0117.50 PIVOT SET



L0117 PIVOT SET

0117 Pivot Set

For Steel or Wood doors up to 42" wide & weighing up to 300 lb.

For up to 3 hours fire rated door-standard

- | | | |
|---|-------------|----------------------------------|
| 1 | 0180 | Top pivot, door & jamb leaf |
| 2 | 0117 | Bottom Arm |
| 3 | | Floor Bearing, S.S.(heavy duty) |
| 4 | 019* | Intermediate pivot (recommended) |
- Specify Handing - LH or RH

0117.25 Pivot Set

For Steel or Wood doors up to 42" wide & weighing up to 250 lb.

For up to 3 hrs. fire rated door-standard

- | | | |
|---|-------------|---|
| 1 | 0180 | Top pivot, door & jamb leaf |
| 2 | 0117 | Bottom Arm |
| 5 | | Side Jamb rest on Floor Bearing, S.S.(heavy duty) |
| 4 | 019* | Intermediate pivot (recommended) |
- Specify Handing - LH or RH

0117.50 Pivot Set

For Steel or Wood doors up to 48" wide & weighing up to 650 lb.

For up to 3 hours fire rated door-standard

- | | | |
|---|----------------|---------------------------------|
| 1 | 0180 | Top pivot, door & jamb leaf |
| 2 | 0117.50 | Bottom Arm |
| 3 | | Floor Bearing, S.S.(heavy duty) |
| 4 | 019* | Intermediate pivot (required) |
- Specify Handing - LH or RH

L0117 Pivot Set

For 1-3/4" lead-lined doors up to 48" wide & weighing up to 1750 lb.

For up to 3 hours fire rated door-standard

- | | | |
|---|--------------|---------------------------------|
| 1 | L0180 | Top pivot |
| 2 | L0117 | Bottom Arm |
| 3 | | Floor Bearing, S.S.(heavy duty) |
| 4 | L019* | Intermediate pivot (required) |
- Specify Handing - LH or RH

* Use of 019/L019 Intermediate Pivot(s) as needed. Door size & Weight Capacity of Pivot set are dependent on use of Intermediate Pivot(s). (order separately)

3/4" OFFSET PIVOT CONFIGURATION.DWG

PIVOT CONFIGURATION
3/4" OFFSET
(0117,0117.25,0117.5,L0117)

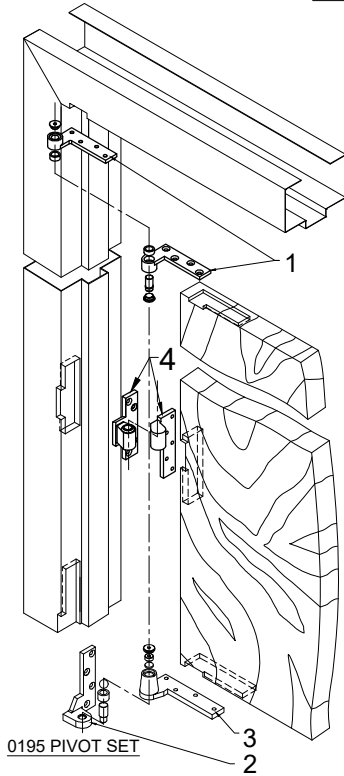


www.abhmfg.com
 E-mail: abhinfo@abhmfg.com
 Architectural Builders Hardware Mfg., Inc.
 1222 Ardmore Ave., Itasca, IL 60143
 630.875.9900; FAX 800.9FAXABH (932.9224)

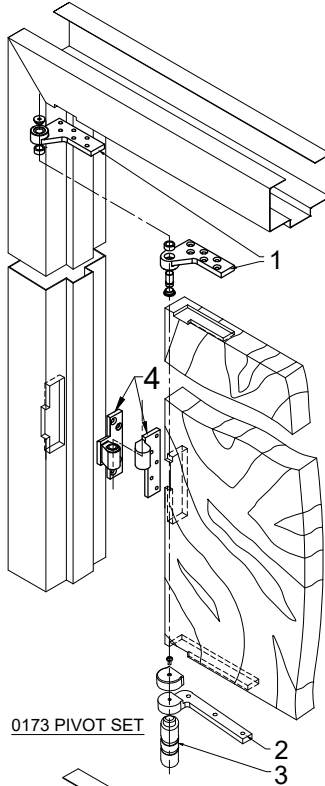
© 2021 ABH Mfg., Inc.
printed in USA

REVISED 7/22/21

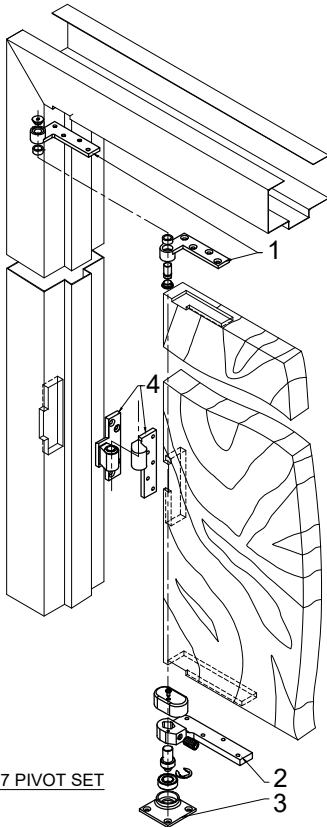
3/4" OFFSET PIVOT SET - SINGLE ACTING



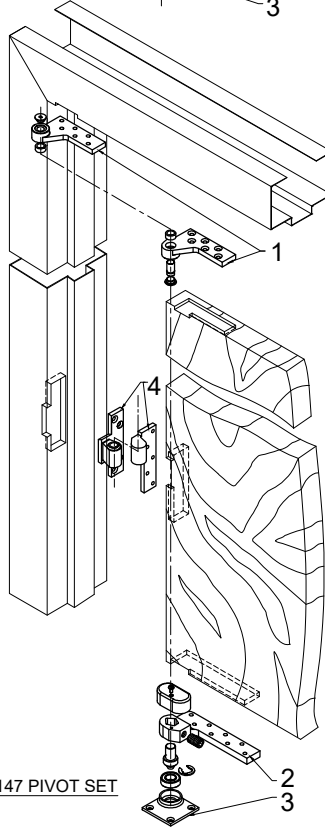
0195 PIVOT SET



0173 PIVOT SET



0147 PIVOT SET



L0147 PIVOT SET

0195 Pivot Set

For Steel or Wood doors up to 48" wide & weighing up to 450 lb.

For up to 3 hours fire rated door-standard

- | | | |
|---|-------------|--|
| 1 | 0180 | Top pivot, door & jamb leaf |
| 2 | 0195 | Bottom Leaf into side jamb, S.S. |
| 3 | | Door Leaf, S.S.(heavy duty needle bearing) |
| 4 | 019* | Intermediate pivot (recommended) |
- Specify Handing - LH or RH

0173 Pivot Set

For Steel or Wood doors up to 36" wide & weighing up to 150 lb.

For up to 3 hours fire rated door-standard

- | | | |
|---|-------------|---|
| 1 | 0180 | Top pivot |
| 2 | 0173 | Bottom Arm into door, S.S. |
| 3 | | Floor Stud into concrete S.S.(heavy duty bearing) |
| 4 | 019* | Intermediate pivot (recommended) |
- Specify Handing - LH or RH

0147 Pivot Set

For Steel or Wood doors up to 48" wide & weighing up to 600 lb.

For up to 3 hours fire rated door-standard

- | | | |
|---|-------------|---------------------------------|
| 1 | 0180 | Top pivot |
| 2 | 0147 | Bottom Arm into door |
| 3 | | Floor Bearing, S.S.(heavy duty) |
| 4 | 019* | Intermediate pivot (req'd) |
- Specify Handing - LH or RH

L0147 Pivot Set

For 1-3/4" lead-lined doors up to 48" wide & weighing up to 1000 lb.

For up to 3 hours fire rated door-standard

- | | | |
|---|--------------|---------------------------------|
| 1 | L0180 | Top pivot |
| 2 | L0147 | Bottom Arm |
| 3 | | Floor Bearing, S.S.(heavy duty) |
| 4 | L019 | Intermediate pivot (req'd) |
- Specify Handing - LH or RH

* Use of 019/L019 Intermediate Pivot(s) as needed. Door size & Weight Capacity of Pivot set are dependent on use of Intermediate Pivot(s). (order separately)

3/4" OFFSET PIVOT CONFIGURATION.DWG



® www.abhmfg.com

E-mail: abhinfo@abhmfg.com

Architectural Builders Hardware Mfg., Inc.

1222 Ardmore Ave., Itasca, IL 60143

630.875.9900; FAX 800.9FAXABH (932.9224)

© 2021 ABH Mfg., Inc.
printed in USA

PIVOT CONFIGURATION

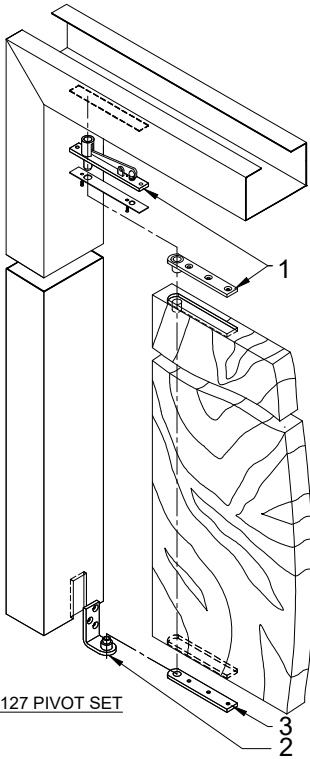
3/4" OFFSET

(0147,0195,0173)

PAGE 2 OF 6

REVISED 7/22/21

CENTER HUNG PIVOT SET - SINGLE or DOUBLE ACTING

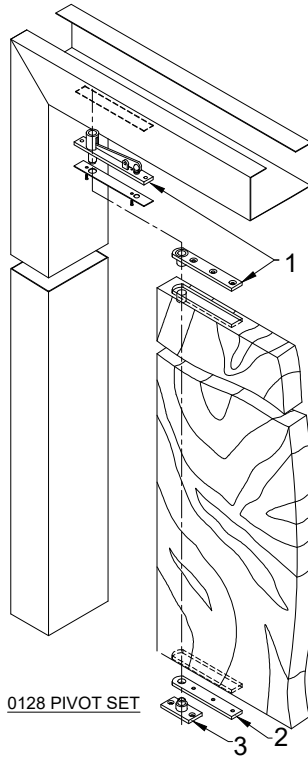


0127 Pivot Set

For Steel or Wood doors up to 42" wide x 102" height & weighing up to 200 lb.

- | | | |
|---|-------------|----------------------------|
| 1 | 0320 | Top pivot |
| 2 | 0127 | Bottom Leaf into side jamb |
| 3 | | Door Leaf - Bottom |

Non Handed

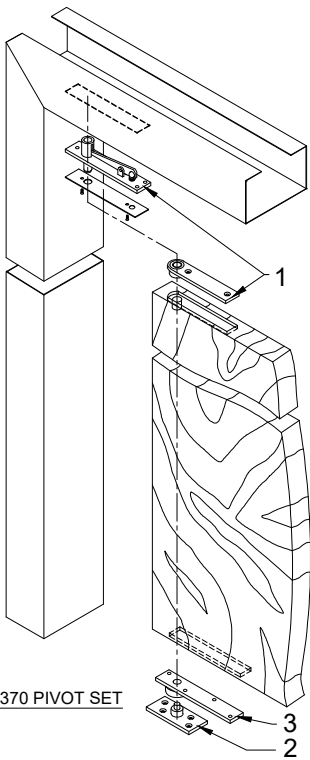


0128 Pivot Set

For Steel or Wood doors up to 42" wide x 102" height & weighing up to 250 lb.

- | | | |
|---|-------------|-------------------------------|
| 1 | 0320 | Top pivot |
| 2 | 0128 | Bottom Leaf on Finished Floor |
| 3 | | Door Leaf - Bottom |

Non Handed



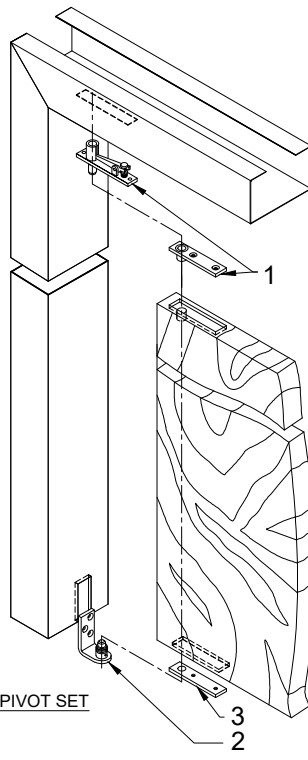
0370 Pivot Set

For Steel or Wood doors up to 44" wide x 102" height & weighing up to 500 lb.

- | | | |
|---|-------------|-------------------------------|
| 1 | 0340 | Top pivot |
| 2 | 0370 | Bottom Leaf on finished floor |
| 3 | | Door Leaf - Bottom |

Non Handed

* Door taller than 102" - Use 0345 top pivot in lieu of 0340 top pivot.



0327 Pivot Set

For Steel or Wood doors up to 42" wide x 96" height & weighing up to 135 lb.

- | | | |
|---|-------------|----------------------------|
| 1 | 0321 | Top pivot |
| 2 | 0327 | Bottom Leaf into side jamb |
| 3 | | Door Leaf - Bottom |

Non Handed



www.abhmfg.com
 E-mail: abhinfo@abhmfg.com
 Architectural Builders Hardware Mfg., Inc.
 1222 Ardmore Ave., Itasca, IL 60143
 630.875.9900; FAX 800.9FAXABH (932.9224)

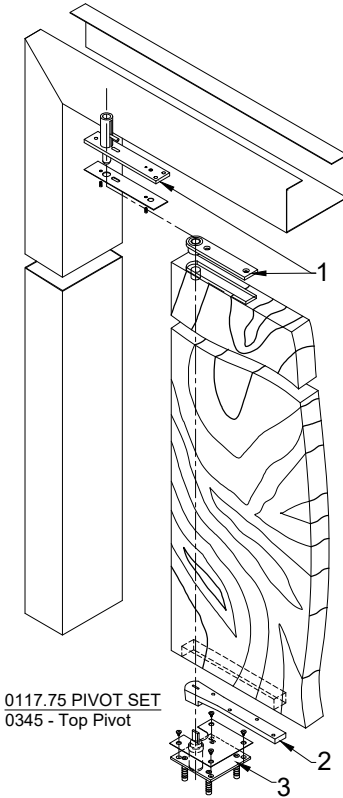
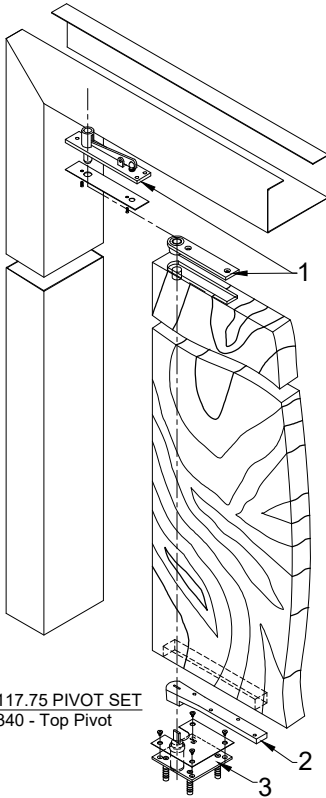
CENTER HUNG PIVOT CONFIGURATION.DWG

PIVOT CONFIGURATION
CENTER HUNG
(0127,0128,0370,0327)

©2018 ABH Mfg., Inc.
 printed in USA

PAGE 3 OF 6
ISSUED 05/01/18

CENTER HUNG PIVOT SET - SINGLE or DOUBLE ACTING



0117.75 Pivot Set

For Steel or Wood doors up to 48" wide x 102" * ht. or taller & weighing up to 600 lb.

1	0340	Top pivot
2	0117.75	Bottom Door Leaf
3		Floor Bearing
		S.S. (Heavy Duty)

Non Handed

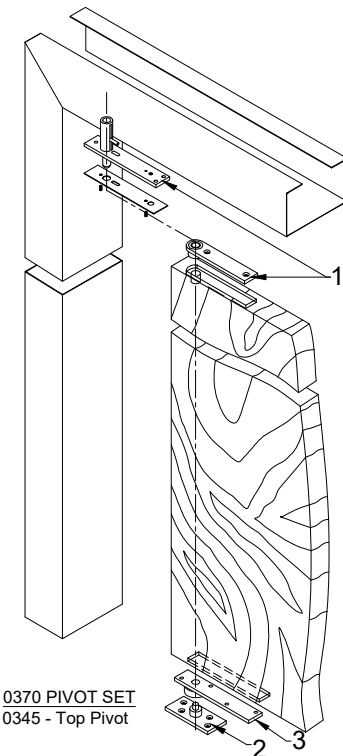
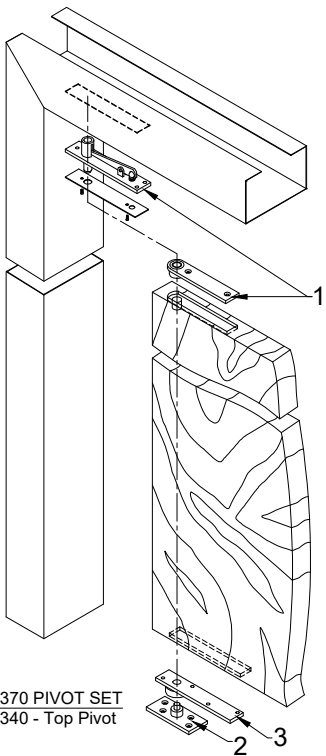
* Door taller than 102" Use 0345 Top pivot

0117.75 Pivot Set

For Steel or Wood doors up to 48" wide x 102" ht. or taller & weighing up to 600 lb.

1	0345	Top pivot
2	0117.75	Bottom Door Leaf
3		Floor Bearing
		S.S. (Heavy Duty)

Non Handed



0370 Pivot Set (0340 top pivot)

For Steel or Wood doors up to 44" wide x 102" height & weighing up to 500 lb.

1	0340	Top pivot
2	0370	Bottom Leaf on finished floor
3		Door Leaf - Bottom

Non Handed

* Door taller than 102" - Use 0345 top pivot in lieu of 0340 top pivot.

0370 Pivot Set (0345 top pivot)

For Steel or Wood doors up to 44" wide x 102" ht. or taller & weighing up to 500 lb.

1	0345	Top pivot
2	0370	Bottom Leaf on finished floor
3		Door Leaf - Bottom

Non Handed

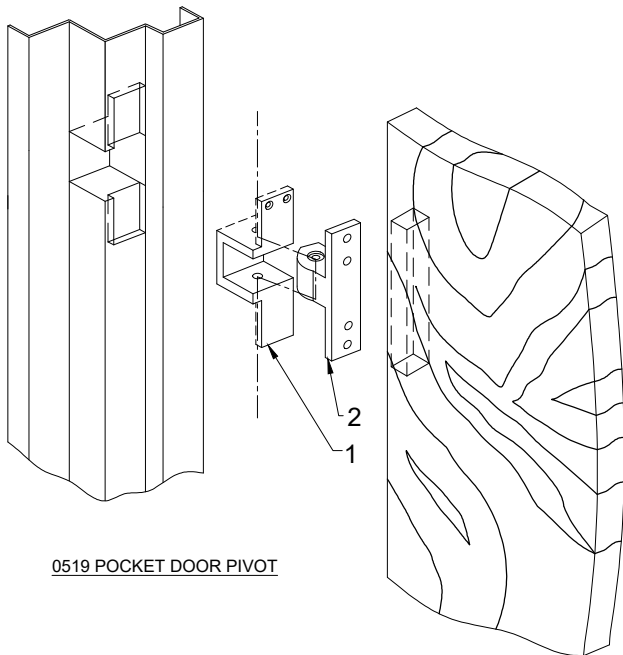
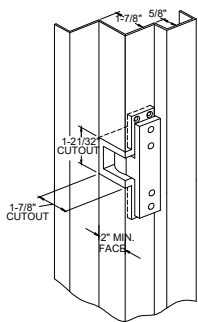


www.abhmfg.com
 E-mail: abhinfo@abhmfg.com
 Architectural Builders Hardware Mfg., Inc.
 1222 Ardmore Ave., Itasca, IL 60143
 630.875.9900; FAX 800.9FAXABH (932.9224)

©2018 ABH Mfg., Inc.
printed in USA

CENTER HUNG PIVOT CONFIGURATION.DWG
PIVOT CONFIGURATION
CENTER HUNG
(0117.75, 0370, 0340, 0345)
 PAGE 4 OF 6
ISSUED 05/01/18

POCKET PIVOT SET - SINGLE ACTING



0519 Pocket Door Pivot

For max. 3 Pocket Pivots per door up to 60" - 90" Tall

Add one pocket pivot for each add'l 30" door height

Max. door load per Pivot - 90 lb.

Max. door swing - 90°

Pivot point is located inside the frame

Allows door to swing into a pocket in the frame at a right angle

1 0519 Frame Portion

2 0519 Door Portion

Non-Handed



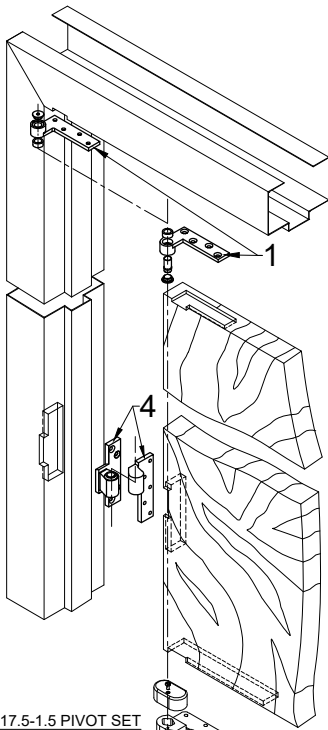
www.abhmfg.com
 E-mail: abhinfo@abhmfg.com
 Architectural Builders Hardware Mfg., Inc.
 1222 Ardmore Ave., Itasca, IL 60143
 630.875.9900; FAX 800.9FAXABH (932.9224)

©2018 ABH Mfg., Inc.
 printed in USA

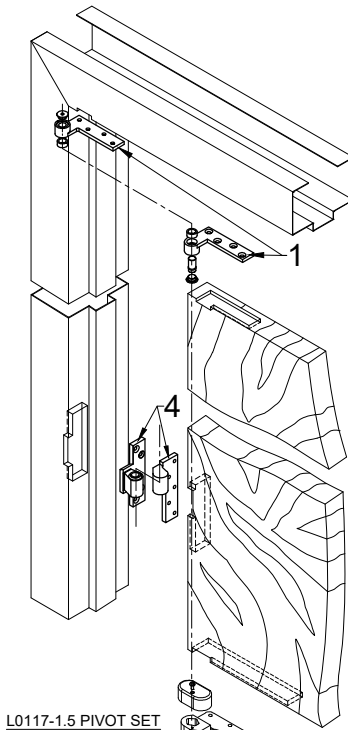
PIVOT CONFIGURATION
 0519 POCKET PIVOT

PAGE 5 OF 6
 ISSUED 05/01/18

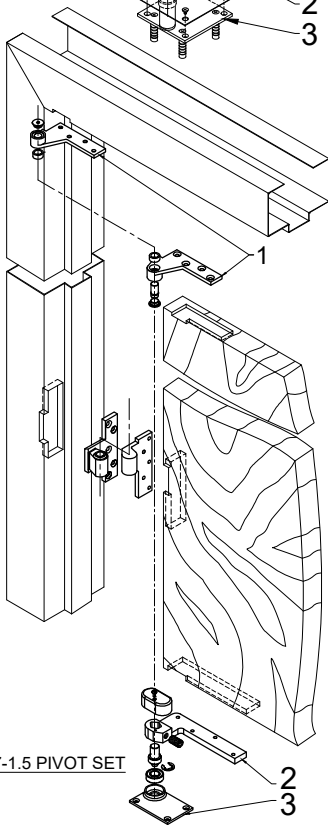
1-1/2" OFFSET PIVOT SET - SINGLE ACTING



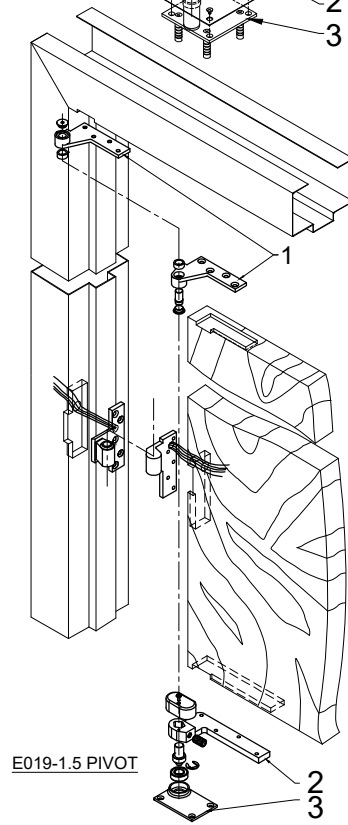
0117.5-1.5 PIVOT SET



L0117-1.5 PIVOT SET



0147-1.5 PIVOT SET



E019-1.5 PIVOT SET

0117.5-1.5 Pivot Set

For Steel or Wood doors up to 48" wide & weighing up to 450 lbs.

For up to 3 hours fire rated door-standard

- 1 **0180-1.5** Top pivot
- 2 **0117.5-1.5** Door Leaf into door, S.S.
- 3 Floor, mortise cement case mount
S.S. (heavy duty)
- 4 **019-1.5*** Intermediate Pivot (req'd.)
Specify Handing - LH or RH

L0117-1.5 Pivot Set

For Steel or Wood doors up to 48" wide & weighing up to 500 lbs.

For up to 3 hours fire rated door-standard

- 1 **L0180-1.5** Top pivot
- 2 **L0117-1.5** Door Leaf into door, S.S.
- 3 Floor, mortise cement case mount
S.S. (heavy duty)
- 4 **L019-1.5*** Intermediate Pivot (req'd.)
Specify Handing - LH or RH

0147-1.5 Pivot Set

For Steel or Wood doors up to 48" wide & weighing up to 350 lb.

For up to 3 hours fire rated door-standard

- 1 **0180-1.5** Top pivot
- 2 **0147-1.5** Door Leaf into door, S.S.
- 3 Bottom Leaf on Floor
S.S. (heavy duty needle bearing)
- 4 **019-1.5*** Intermediate Pivot (required)
Specify Handing - LH or RH

E019-1.5 Intermediate Pivot

For Steel or Wood doors up to 48" wide & weighing up to 350 lb.

For up to 3 hours fire rated door-standard

- 1 **0180-1.5** Top pivot
- 2 **0147-1.5** Door Leaf into door, S.S.
- 3 Bottom Leaf on Floor
S.S. (heavy duty needle bearing)
- 4 **E019-1.5** Electrified Intermediate Pivot (electrical power transfer from frame to door (8) 30 AWG wires)
Specify Handing - LH or RH

* Use of 019/L019 Intermediate Pivot(s) as needed. Door size & Weight Capacity of Pivot set are dependent on use of Intermediate Pivot(s). (order separately)

1-1/2" OFFSET PIVOT CONFIGURATION.DWG