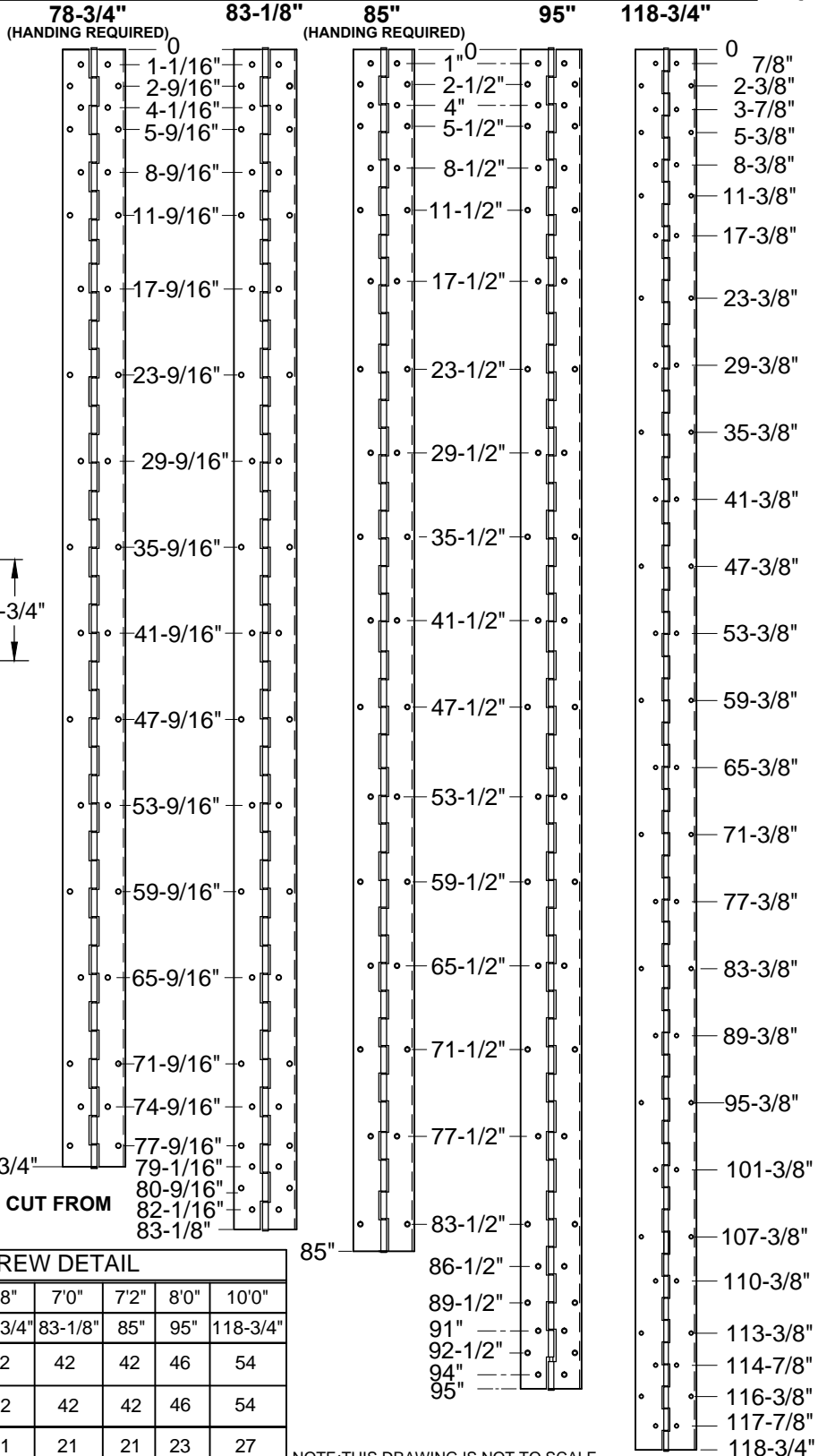
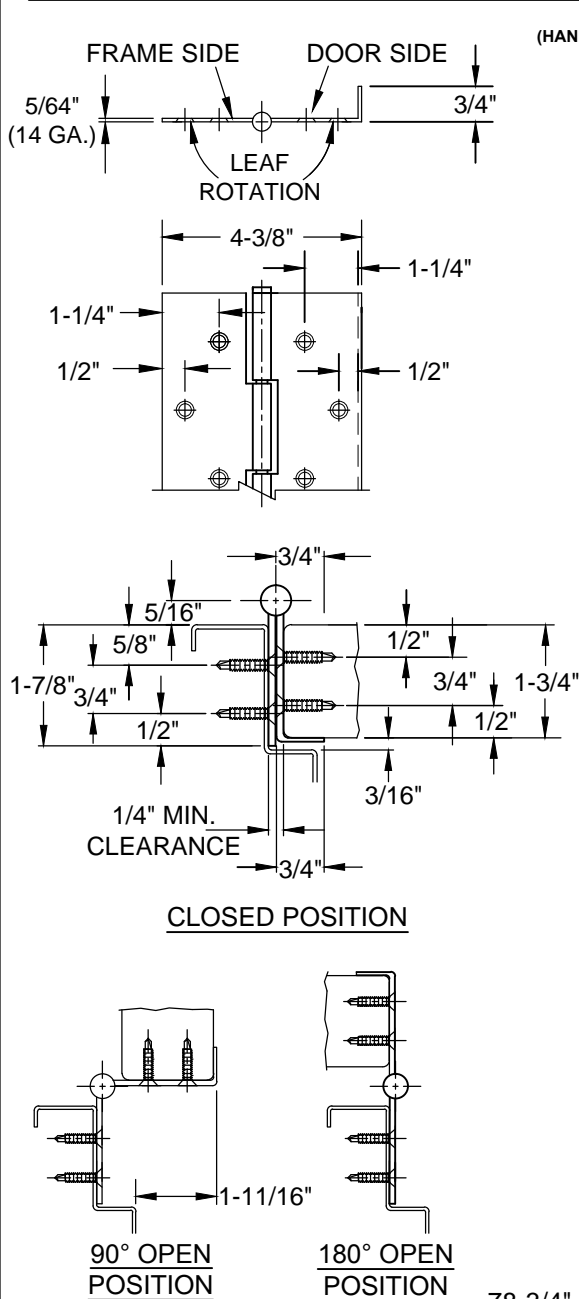


# A515 - STAINLESS STEEL HINGE, FULL CONCEALED W/ SINGLE EDGE GUARD



**NOTE : HINGES CUT TO CUSTOM LENGTH ARE CUT FROM BOTTOM - PLEASE SPECIFY HANDING**

STANDARD HINGE SIZES & SCREW DETAIL					
NOMINAL DOOR HEIGHT	6'8"	7'0"	7'2"	8'0"	10'0"
ACTUAL HINGE HEIGHT	78-3/4"	83-1/8"	85"	95"	118-3/4"
10-24 x 7/8" PHILLIPS FLAT HEAD, UNDERCUT, SELF-DRILLING, TEK MACHINE SCREW	42	42	42	46	54
#10 x 1-1/4" PHILLIPS FLAT HEAD, UNDERCUT, SHEET METAL SCREW	42	42	42	46	54
"AS" ADJUSTABLE STUDS & 10-32 x 3/4" PHILLIPS FLAT HEAD, UNDERCUT, MACHINE SCREW	21	21	21	23	27

NOTE: THIS DRAWING IS NOT TO SCALE.

A515-STAINLESS STEEL HINGE.00.DWG



www.abhmfg.com  
 E-mail: abhinfo@abhmfg.com  
 Architectural Builders Hardware Mfg., Inc.  
 1222 Ardmore Ave., Itasca, IL 60143  
 630.875.9900; FAX 800.9FAXABH (932.9224)

**A515**  
**STAINLESS STEEL HINGE**

©2015 ABH Mfg., Inc.  
printed in USA

PAGE 1 OF 1  
ISSUED 05-18-15