

A529 - STAINLESS STEEL HINGE, SWING CLEAR WITH EDGE GUARD



FOR SQUARE EDGE DOOR

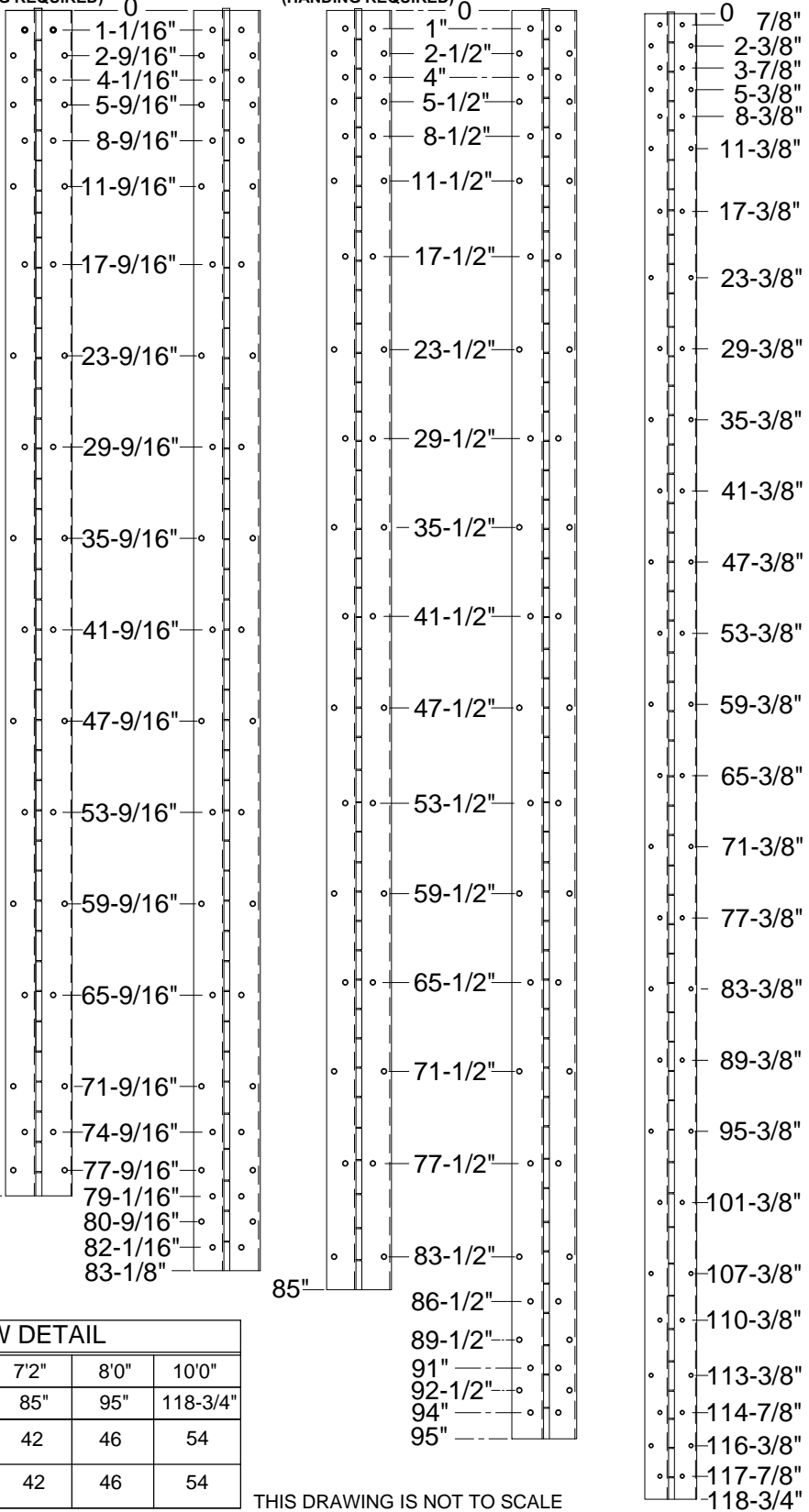
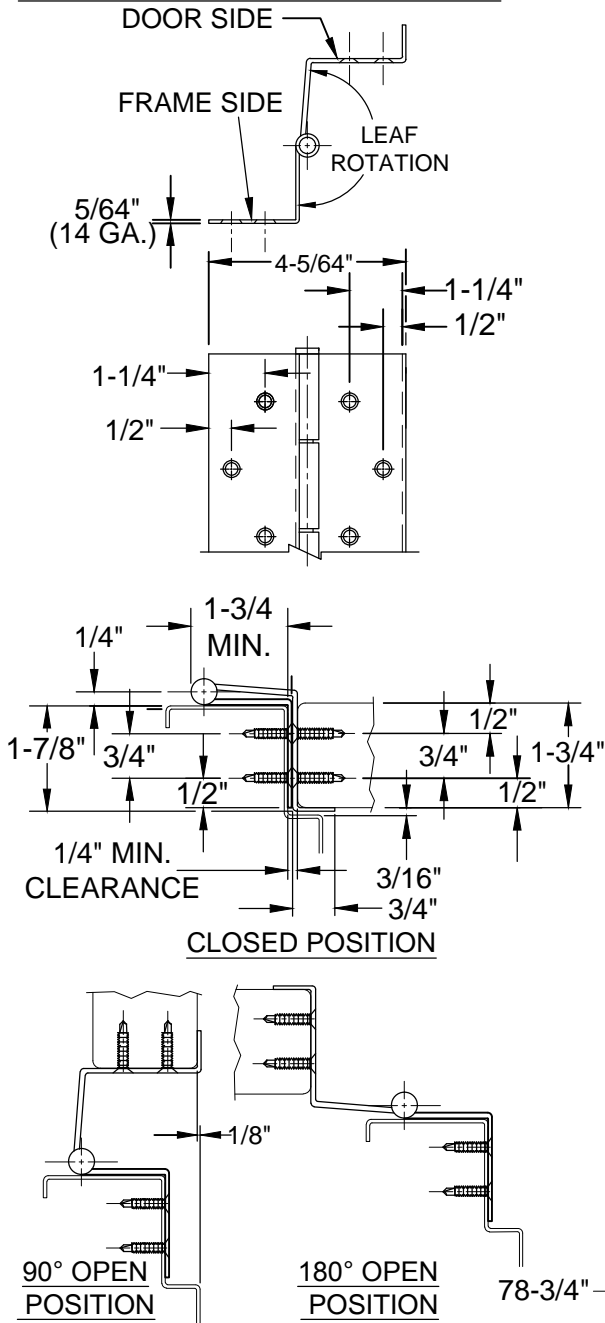
78-3/4" (HANDING REQUIRED)

83-1/8"

85" (HANDING REQUIRED)

95"

118-3/4"



NOTE : HINGES CUT TO CUSTOM LENGTH ARE CUT FROM BOTTOM - PLEASE SPECIFY HANDING

STANDARD HINGE SIZES & SCREW DETAIL					
NOMINAL DOOR HEIGHT	6'8"	7'0"	7'2"	8'0"	10'0"
ACTUAL HINGE HEIGHT	78-3/4"	83-1/8"	85"	95"	118-3/4"
10-24 x 7/8" PHILLIPS FLAT HEAD, UNDERCUT, SELF-DRILLING MACHINE SCREW	42	42	42	46	54
#10 x 1-1/4" PHILLIPS FLAT HEAD, UNDERCUT, SHEET METAL SCREW	42	42	42	46	54

THIS DRAWING IS NOT TO SCALE



www.abhmg.com
 E-mail: abhinfo@abhmg.com
 Architectural Builders Hardware Mfg., Inc.
 1222 Ardmore Ave., Itasca, IL 60143
 630.875.9900; FAX 800.9FAXABH (932.9224)

A529
 STAINLESS STEEL HINGE

©2017 ABH Mfg., Inc.
 printed in USA

PAGE 1 OF 1
 ISSUED 02-27-17