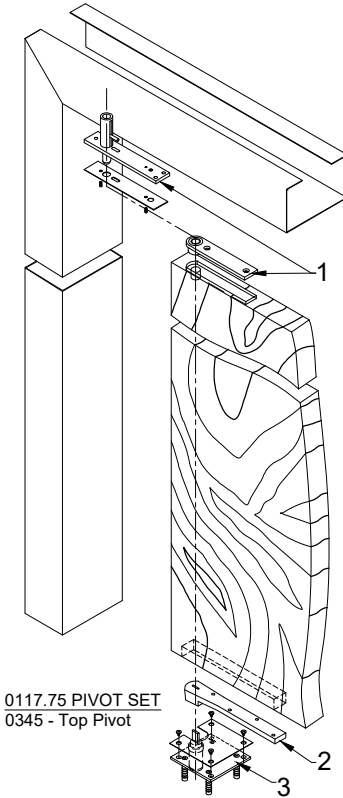
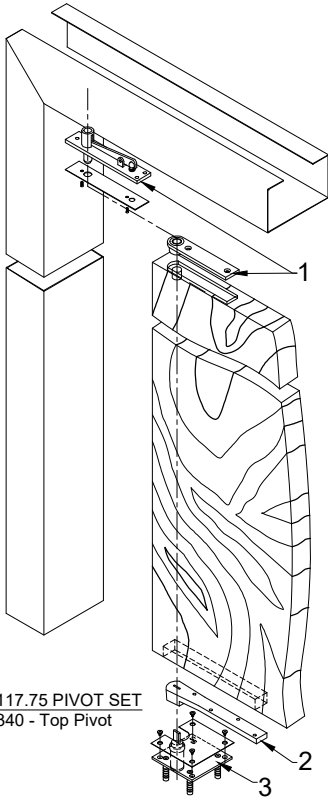


CENTER HUNG PIVOT SET - SINGLE or DOUBLE ACTING



0117.75 Pivot Set

For Steel or Wood doors up to 48" wide x 102" * ht. or taller & weighing up to 600 lb.

1	0340	Top pivot
2	0117.75	Bottom Door Leaf
3		Floor Bearing
		S.S. (Heavy Duty)

Non Handed

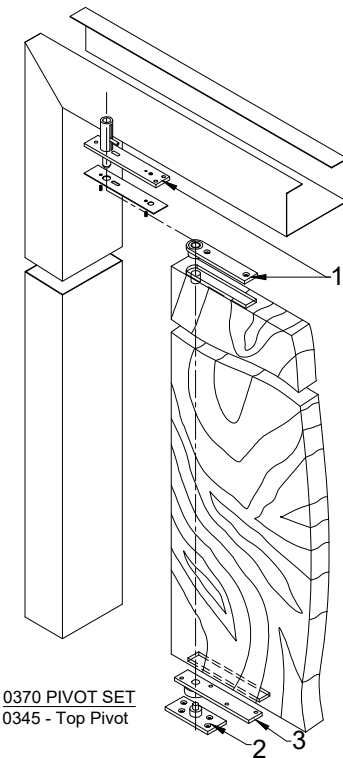
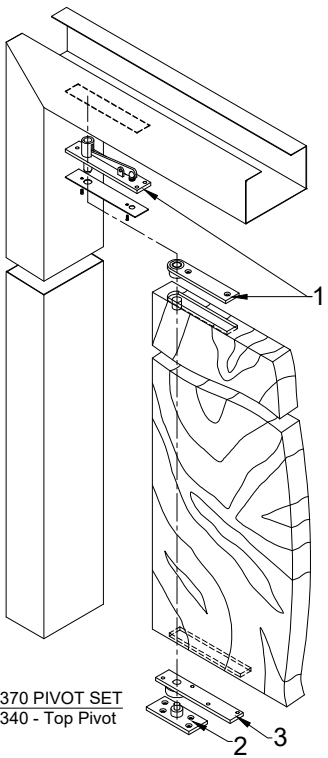
* Door taller than 102" Use 0345 Top pivot

0117.75 Pivot Set

For Steel or Wood doors up to 48" wide x 102" ht. or taller & weighing up to 600 lb.

1	0345	Top pivot
2	0117.75	Bottom Door Leaf
3		Floor Bearing
		S.S. (Heavy Duty)

Non Handed



0370 Pivot Set (0340 top pivot)

For Steel or Wood doors up to 44" wide x 102" height & weighing up to 500 lb.

1	0340	Top pivot
2	0370	Bottom Leaf on finished floor
3		Door Leaf - Bottom

Non Handed

* Door taller than 102" - Use 0345 top pivot in lieu of 0340 top pivot.

0370 Pivot Set (0345 top pivot)

For Steel or Wood doors up to 44" wide x 102" ht. or taller & weighing up to 500 lb.

1	0345	Top pivot
2	0370	Bottom Leaf on finished floor
3		Door Leaf - Bottom

Non Handed



www.abhmfg.com
 E-mail: abhinfo@abhmfg.com
 Architectural Builders Hardware Mfg., Inc.
 1222 Ardmore Ave., Itasca, IL 60143
 630.875.9900; FAX 800.9FAXABH (932.9224)

©2018 ABH Mfg., Inc.
printed in USA

CENTER HUNG PIVOT CONFIGURATION.DWG
PIVOT CONFIGURATION
CENTER HUNG
(0117.75, 0370, 0340, 0345)
 PAGE 4 OF 6
ISSUED 05/01/18