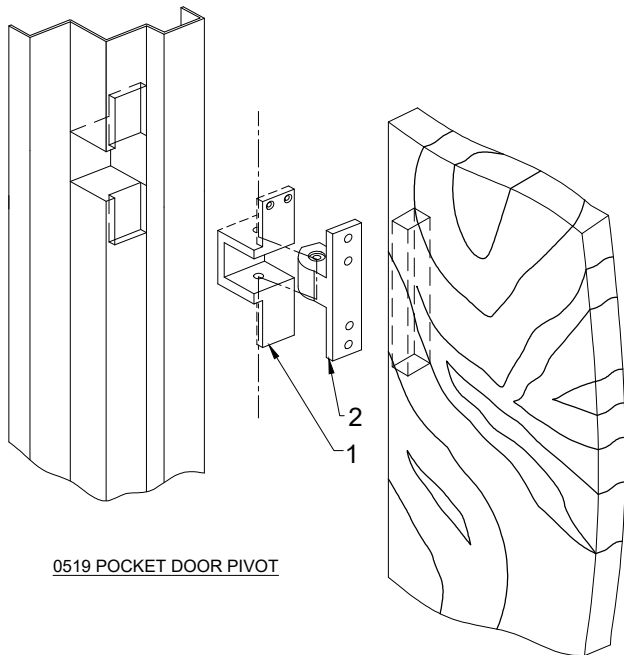
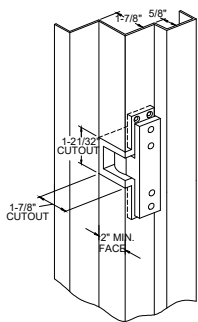


POCKET PIVOT SET - SINGLE ACTING



0519 POCKET DOOR PIVOT

0519 Pocket Door Pivot

For max. 3 Pocket Pivots per door up to 60" - 90" Tall

Add one pocket pivot for each add'l 30" door height

Max. door load per Pivot - 90 lb.

Max. door swing - 90°

Pivot point is located inside the frame

Allows door to swing into a pocket in the frame at a right angle

1 0519 Frame Portion

2 0519 Door Portion

Non-Handed

POCKET PIVOT CONFIGURATION.DWG



www.abhmfg.com
 E-mail: abhinfo@abhmfg.com
 Architectural Builders Hardware Mfg., Inc.
 1222 Ardmore Ave., Itasca, IL 60143
 630.875.9900; FAX 800.9FAXABH (932.9224)

©2018 ABH Mfg., Inc.
 printed in USA

PIVOT CONFIGURATION
 0519 POCKET PIVOT

PAGE 5 OF 6
 ISSUED 05/01/18