



# 5050B

Silicone Bulb Fire and Smoke Seal

## PRODUCT CUT SHEET


### Material

Self-Adhesive Synthetic Rubber Polymer: Siloxane

- ▶ Excellent Flexibility and Memory
  - ▶ Flame-Resistant
  - ▶ Moisture-Resistant
  - ▶ Temperature Range -100°F to 500°F, Remains Flexible at Extreme Temperatures
  - ▶ Excellent Resistance to Ozone, UV and Aging
  - ▶ Recommended for Areas Using FM200 or Halon Fire Suppression Systems
  - ▶ BHMA Certified to ANSI/BHMA A156.22 Performance Tests for Heat, Cold and Air Infiltration
  - ▶ Modified Acrylic Pressure Sensitive Adhesive Protected by Release Liner
  - ▶ Provides High Initial Adhesion and Long Term Holding Power for Permanent Mounting in Exterior or Interior Locations
  - ▶ Resistant to Aging, Weathering, UV Radiation, Water, Detergent, Alcohol and the Influence of Chemicals
  - ▶ End Use Temperature Range of Adhesive, Long Term Exposure -30°F Up To 250°F
  - ▶ Shelf Life of Adhesive Prior to Installation is One Year when Stored at 75°F and 50% Relative Humidity or Less
  - ▶ Meets Requirements of RoHS Directive
  - ▶ 1/2" Wide x 1/4" Tall
  - ▶ Available in 17', 20', 21', 25' and 300' Rolls
- \*Clear Not Available in 21'


Color  
5050B Brown



 **Edge Sealing System - Category "C"** for 20 minute rated category B wood doors  
perimeter application up to:

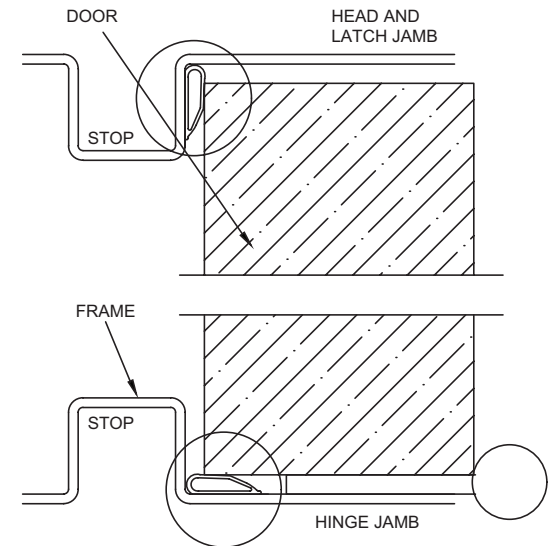
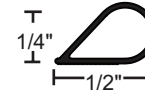
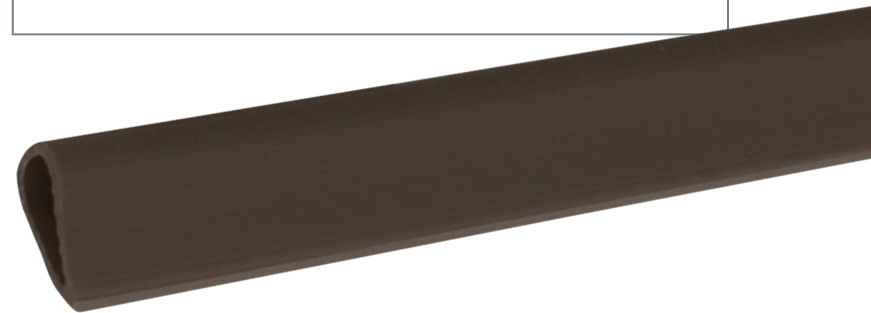
single swing	4'0 x 8'0
pairs	8'0 x 8'0

use 9550 at the meeting edge of pairs

 **Smoke and Draft Control - Category "H"**  
Up to 3 hours Hollow Metal fire doors  
Up to 90 minutes Wood fire doors



PROJECT:
SUBMITTED BY:
DATE:
NOTES:



NGP-GKT-5050B-PCS-1123-A

### NATIONAL GUARD PRODUCTS, INC.

**MEMPHIS**  
4985 East Raines Road  
Memphis, TN 38118

**CARSON CITY**  
3689 Arrowhead Drive  
Carson City, NV 89706

**Fax:** (800) 255-7874  
**Email:** info@ngp.com

**Quotes:** quotes@ngp.com  
**Orders:** orders@ngp.com

**ngp.com**  
1-800-NGP-RUSH