

1575 / 1576

Electromagnetic Gate Locks



SDC's magnetic gate locks provide 1200lbs of holding force and enable the access and egress control of pedestrian and vehicle gates. Access controls such as card readers, digital keypads and remote control stations provide gate and lock control.

Compatible with manual and automatic, swinging and sliding, tubular and iron gates. The floating armature design compensates for gate misalignment with the electromagnet.

SDC magnetic gate locks are totally sealed in an epoxy filled stainless steel case. A threaded conduit fitting ensures weather resistant protection of the wiring.



1575U



1576U

MODELS

1575 Single Magnetic Gate Lock, 1200lbs, Weatherized

1576 Single Magnetic Gate Lock, Face-Drilled, 1200lbs, Weatherized

STANDARD FEATURES

- Epoxy sealed electronics
- Threaded conduit fitting
- Stainless steel housing
- Wire leads, 3 feet
- Field selectable dual voltage
- Voltage and current spike protection
- Low power consumption
- Door position status (DPS)
- Bond alert status (BAS)

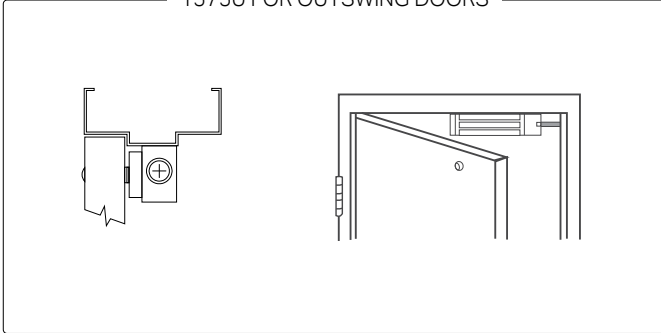


APPLICATIONS

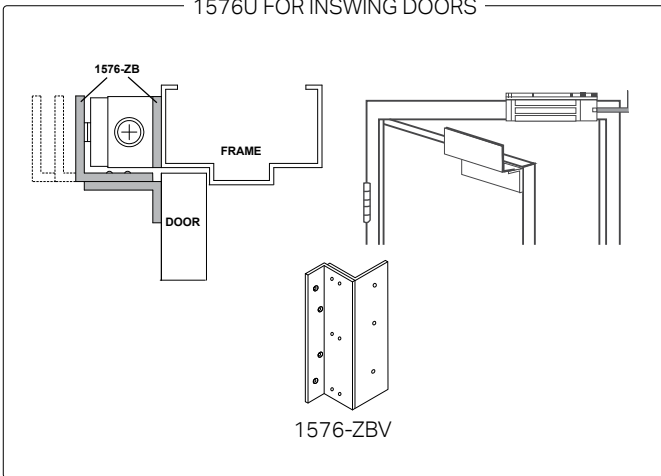
With no moving parts to bind or wear, SDC's magnetic gate locks are inherently failsafe and will unlock automatically during a power outage. For security applications, SDC power supplies with backup batteries, can provide continuous operation during a power outage.

DOOR APPLICATIONS

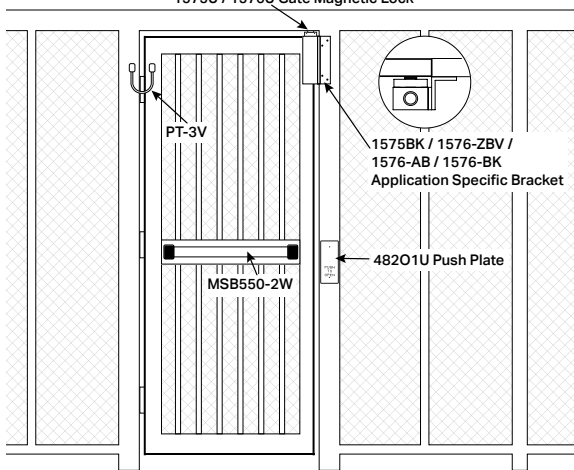
1575U FOR OUTSWING DOORS



1576U FOR INSWING DOORS



1575U / 1576U Gate Magnetic Lock

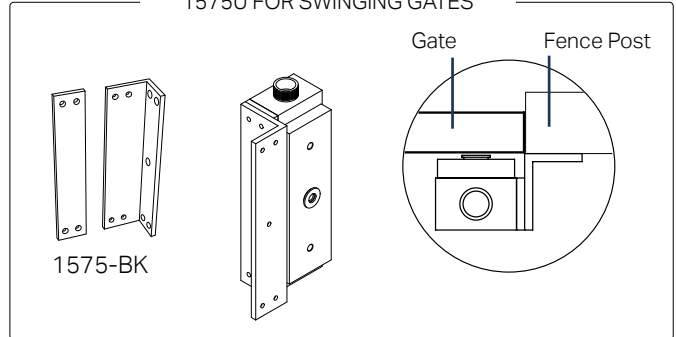


Gate Mount Installation

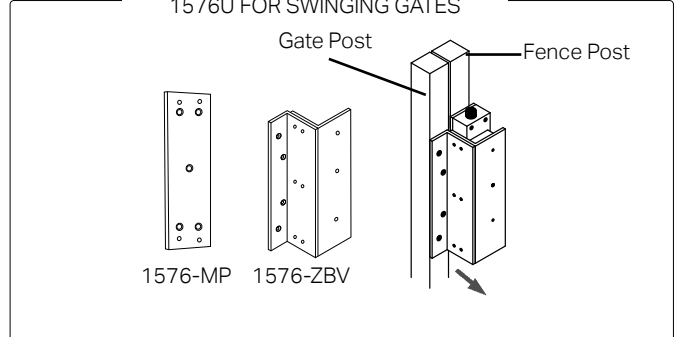
[CLICK TO VIEW](#)

GATE APPLICATIONS

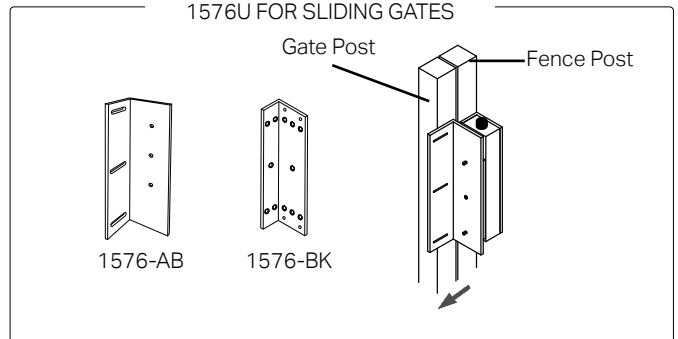
1575U FOR SWINGING GATES



1576U FOR SWINGING GATES



1576U FOR SLIDING GATES



The use of a hydraulic gate closer is highly recommended for swing gate applications.

TOP JAMB APPLICATIONS

1576-MP Lock Body Mounting Plate, 1/4" x 2 1/2" x 8 11/16"

1576-ZBV* Z Bracket, 5 1/16" x 3 3/8" x 10 7/8"

SLIDING GATE APPLICATIONS

1576-BK Angle Bracket, 1 13/16" x 2 3/4" x 8 11/16"

1576-AB Armature Mounting Bracket, 2 3/4" x 3 1/4" x 10 7/8"

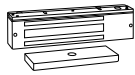
SWINGING GATE APPLICATIONS

1576-BK Angle Bracket, 2" x 2 3/8" x 8 11/16"

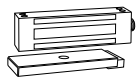
1576-ZBV* Z Bracket, 5 1/16" x 3 3/8" x 10 7/8"

* Includes 1576-MP mounting plate.

CROSS REFERENCE



| | 1510 | 1570 | 1580 | E1200 | E600 | E6200 |
|----------------------|-----------------------------------|-----------------------------------|-------------------------------|-------------------------------|-------------------------------|-------------------------------|
| Maglock Type | Standard | Standard | Standard | Standard | Standard | Standard |
| Trademark | EMLock® | EMLock® | EMLock® | Excel™ | Excel™ | ----- |
| Warranty | Lifetime | Lifetime | Lifetime | 5 Year | 5 Year | 5 Year |
| Holding Force | 1,650 lbs | 1,200 lbs | 650 lbs | 1,200 lbs | 600 lbs | 1,200 lbs |
| Single | 1511 | 1571 | 1581 | E1200 | E600 | E6200 |
| Double | 1512 | 1572 | 1582 | ----- | ----- | ----- |
| Monitoring | Optional or Field Upgrade Kits | Optional or Field Upgrade Kits | Optional | Standard | Standard | Standard |
| | CLICK TO VIEW | CLICK TO VIEW | CLICK TO VIEW | CLICK TO VIEW | CLICK TO VIEW | CLICK TO VIEW |



| | 350 | 1590 | 1575 / 1576 | E300 | EP17624 |
|----------------------|-------------------------------|-------------------------------|-----------------|-------------------------------|-------------------------------|
| Maglock Type | Specialty | Specialty | Specialty | Specialty | Specialty |
| Application | Narrow | Sliding Doors | Outdoor Gates | Cabinets | Hazardous |
| Weatherized | ----- | ----- | Yes | ----- | Explosion Proof |
| Holding Force | 1,200 lbs | 850 lbs | 1,200 lbs | 300 lbs | 600 lbs |
| Single | 350V | 1591U | 1575U, 1576U | E300 | EP17624, EP17624TJ |
| Double | 352V | ----- | ----- | ----- | ----- |
| Monitoring | Standard | Optional | Standard | Standard | Standard |
| | CLICK TO VIEW | CLICK TO VIEW | | CLICK TO VIEW | CLICK TO VIEW |

SPECIFICATIONS

| | 1575 | 1576 |
|----------------------------|--|--|
| Housing | Stainless Steel | Stainless Steel Face-Drilled |
| Holding Force | 1,200 lbs | 1,200 lbs |
| Dimensions | 8 ¹ / ₁₆ " x 2 ¹ / ₂ " x 1 ⁵ / ₁₆ " Housing 7 ³ / ₄ " x 2 ¹³ / ₃₂ " x 5 ⁵ / ₁₆ " Armature | 8 ¹ / ₁₆ " x 2 ¹ / ₂ " x 1 ⁵ / ₁₆ " Housing 7 ³ / ₄ " x 2 ¹³ / ₃₂ " x 5 ⁵ / ₁₆ " Armature |
| Weight | 11 lbs | 10 lbs |
| Input | 12/24 VDC ± 10% Field Selectable | 12/24 VDC ± 10% Field Selectable |
| Current Draw | 225 mA @ 24 VDC 450 mA @ 12 VDC | 225 mA @ 24 VDC 450 mA @ 12 VDC |
| Monitoring Contacts | SPDT 250 mA @ 30 VDC Resistive | SPDT 250 mA @ 30 VDC Resistive |

CERTIFICATIONS

UL 1034 Burglary-Resistant Electric Locking Mechanisms
 UL 10B Fire Tests of Door Assemblies
 UL 10C Positive Pressure Fire Tests of Door Assemblies
 ULC-S104 Standard Method for Fire Tests of Door Assemblies

ULC-S533 Egress Door Securing and Releasing Devices
 Uniform Building Code Standard 7-2 Fire Test of Door Assemblies (1997)
 ANSI/BHMA A156.23 Grade 1

HOW TO ORDER

FOLLOW STEPS FOR ORDERING

 Designates optional step

1| SPECIFY MODEL

1575 Single Magnetic Gate Lock, 1200lbs, Weatherized
1576 Single Magnetic Gate Lock, Face-Drilled, 1200lbs, Weatherized

2| SPECIFY FINISH

U 630 Dull Stainless 

| STEP NUMBER: | 1 | 2 |
|-------------------|-------------|----------|
| ORDERING EXAMPLE: | 1575 | U |

RELATED PRODUCTS

Z BRACKETS

Accommodate the installation of a magnetic gate lock to the side post of the openings.

1576-ZBV* 5 1/16" x 3 3/8" x 10 7/8"

* Includes 1576-MP mounting plate.



LOCK BODY MOUNTING PLATES

Accommodate the installation of the lock body.

1576-MP 1/4" x 2 1/2" x 8 11/16"



ANGLE BRACKETS

Used as extension on shallow door frames to provide adequate mounting surface.

1575-BK 2" x 2 3/8" x 8 11/16"

1576-BK 1 13/16" x 2 3/4" x 8 11/16"



ARMATURE MOUNTING BRACKETS

Accommodate the installation of an armature.

1576-AB Armature Mounting Bracket, 2 3/4" x 3 1/4" x 10 7/8"

COMPONENT CONSIDERATIONS

EGRESS DEVICES

[CLICK TO VIEW](#)

SDC egress devices are designed for the release of magnetic locks and the activation of delayed egress locks installed on non-latching doors. Request-to-exit push bars provide uninhibited egress through access-controlled openings equipped with magnetic locks, while eliminating the need for prior knowledge of egress operation and enabling egress with a single natural motion. Request-to-exit push bars also eliminate the need for wall mounted exit switches requiring prior knowledge to unlock the door.



POWER TRANSFER DEVICES

[CLICK TO VIEW](#)

Electrified power transfer hinges (PTH Series), loops (PT Series) and mortise devices (PTM Series) provide both surface and concealed methods for running wires from the frame to transfer power and monitoring signals to doors equipped with electric locks and exit devices. Wireless power transfer devices (WPT Series) wirelessly transfer power and monitor latch bolt status, REX or data signals to electrified locks and latches.



KEYPADS & READERS

[CLICK TO VIEW](#)

SDC has a variety of digital keypad and proximity card access control system equipment to meet any need. SDC's keypads and readers are engineered to provide real-world door control of a single opening up to 100 doors, such as indoor, outdoor and PC-based systems, while ensuring fire and life safety code compliance along with superior expandability and flexibility in authorization identification, authentication, access approval and accountability of entities through login credentials.



BOLLARDS

[CLICK TO VIEW](#)

SDC's line of bollard posts are a practical alternative to wall mounted access controls or switches for entry doors. They combine visibility with convenience to meet or exceed accessibility and building code requirements throughout North America. A choice of surface mount or in-ground installation models and a variety of push plates and panels are offered. SDC's bollard posts are built with quality materials and attention to detail for durability in high traffic areas and harsh weather conditions.



POWER CONTROLLERS

[CLICK TO VIEW](#)

SDC access control power supplies have been developed specifically to support access controls and electric locking hardware. They are UL listed and provide filtered and regulated linear DC power, with optional control logic, component interface, alarm interface and battery back-up to meet the requirements of single and multiple access-controlled openings. The circuitry design is ideal for the inductive loads generated by access control hardware for high performance and longevity.



PUSH PLATES & PANELS

[CLICK TO VIEW](#)

SDC's push plates and panels combined with SDC's operators, bollards and locking devices allow for complete access and egress solutions for ADA compliant applications. Included are round and square push plates, as well as wall mount and full-size push panels. All types can be wireless or hardwired, bollard or wall mounted. ADA compliant solutions work seamlessly with low energy swing door operators like Auto EntryControl™.

