



78801

788 Series Flexible Armored Door Cord



Installation Instructions

Important Information

Product	Description
788-18	Flexible armored door cord, 18" long (no wires)
788-18C	Flexible armored door cord, 18" long (with wires); wires: red, grn, wht, blk, 20AWG, 24" long

Door Cord Installation

1

Locate best position for door cord.

Although any location along hinge side of door and frame is functional, it is suggested that the higher the cord, the less susceptible it is to vandalism.

2

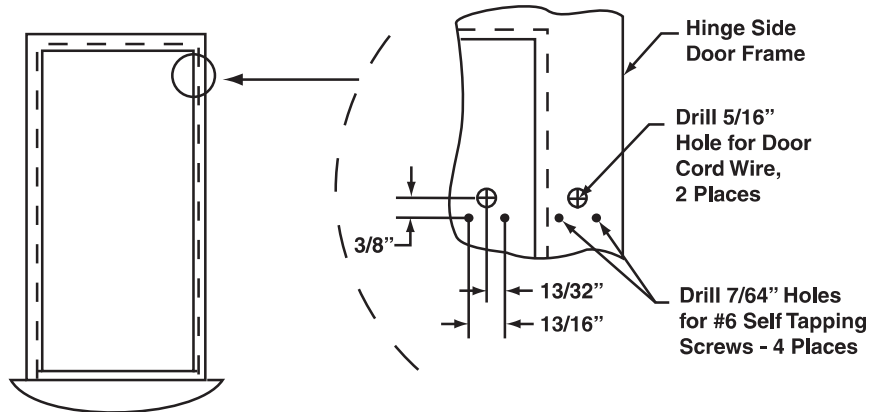
Layout and mark hole locations as shown.

3

Drill four (4) 7/64" dia. holes for #6 self tapping screws.

4

Drill two (2) 5/16" dia. holes for wire access. Break sharp edges.



Door Cord Installation

5

Door cord with wire: One end of door cord wire is fed through frame wire access hole with connections to system wiring being made in the frame. The other end of door cord wire is fed through door wire access hole. This wire is pulled through the door structure to the door wire access hole mounted devices.

Door cord without wire: Long wire leads from system wiring is fed through frame wire access hole, through door cord, through door wire access hole, through door structure to the door wire access hole for the door mounted device.

OR

Long wire leads from the door device is fed through in the opposite direction to be connected to system wiring in the frame.

6

Install door cord end caps with four (4) #6 self tapping flat head screws. End cap projections in cavity must "trap" armored cable to keep it from being pulled out.

Customer Service

1-877-671-7011

www.allegion.com/us



© Allegion 2014
Printed in U.S.A.
78801 Rev. 12/14-c