



78802

798 Series Flexible Armored Door Cord

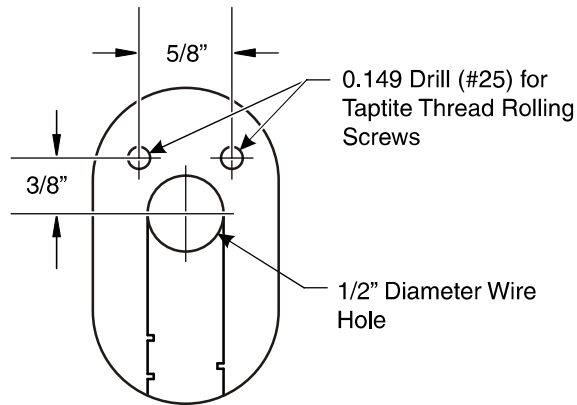


Installation Instructions

798-12, 798-18, 798C-12, & 798C-18

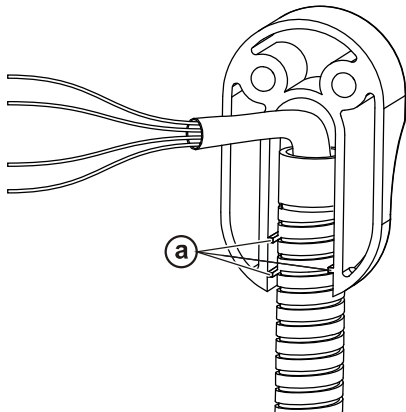
Template (Not to Scale)

The door cord is furnished with four #8-32 thread rolling screws. It is important that the correct drill be used for the screws to self tap.

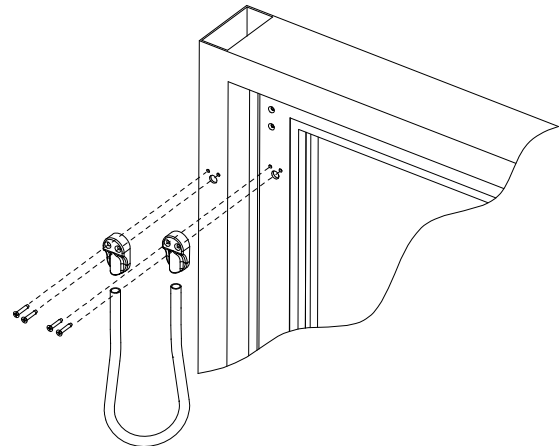


Installation

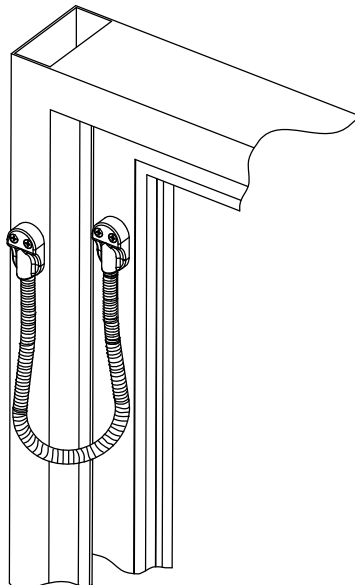
1 After drilling the four screw holes, run wires as required for your system. Install wire/hose assembly into cord ends as shown. Molded-in tabs (a) will engage with the grooves of the hose.



2 Install door cord onto door and frame. Use all four screws.



3 When finished, installation should look like this.



Customer Service

1-877-671-7011

www.allegion.com/us



© Allegion 2014
Printed in U.S.A.
78802 Rev. 12/14-b